



FABORY QUICK SYSTEM

pawl latches

Application: FABORY QUICK SYSTEM pawl latches are mainly used for locking installation cabinets.

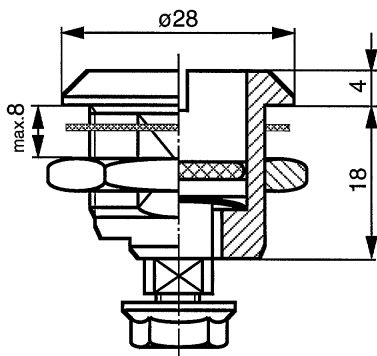
Assembly: the FABORY QUICK SYSTEM pawl latch locking is mounted on the panel or door. On operation of the locking mechanism, the pawl mounted on the locking engages behind the frame part and thus makes a secure fastening.

Function: the pawl of the FABORY QUICK SYSTEM lockings are identical in function; for size, method of operation and manufacture, i.e. material (black polyamid with zinc inner parts, chrome plated zinc and stainless steel), there is a wide choice. With the standard models both an internal O-ring and a sealing ring for under the head are supplied with which the fastenings are splashproof in conformance with IP65.

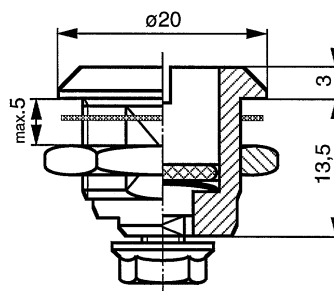
Types: FABORY QUICK SYSTEM pawl latches are available in a **large type** and in a **small type**, see elsewhere in this section.



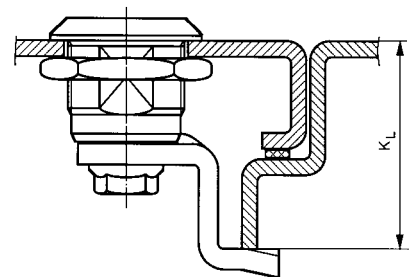
TECHNICAL- AND ASSEMBLY DATA



LARGE TYPE



SMALL TYPE



For further technical data on sizes, loads, examples of application and assembly sequences, an extensive FABORY QUICK SYSTEM brochure is available on request.